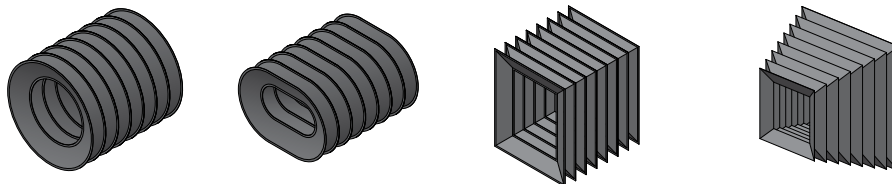


ENCLOSED-SHAPE BELLOWS | QUOTE REQUEST FORM

Date Required _____ Phone _____
 Quantity Required _____ Address _____
 Company Name _____ City _____ State/Prov. _____
 Contact Name _____ Zip/Postal Code _____ Country _____
 Email _____

1. Application Information

New Bellows Design Replacement Bellows
 Protection For: Cylinder rod/ram Rod with ball bushing Ball screw Acme screw Spline Rectangular-shaped part
 Other (describe or send drawing): _____
 Cover Orientation: Horizontal Vertical
 Construction Preference: Dynatect Recommendation Gortiflex[®] Vulca-Seal[®] Thermiseal Sewn Folded
 Other: _____
 Profile/Shape: Round Oval* Rectangular/Square Tapered* Other/Custom:



*Drawing required; PDF or DWG/DXF file preferred. Include photos when possible.

2. Operation Information

Continuous (Ambient) Temperature: _____ °F °C
 Intermittent Temperature Range: Min. _____ Max. _____
 Frequency of Exposure: _____
 Distance from Heat Source (if applicable)*: _____
 Maximum Travel Speed*: _____ Movements/Day _____
 Acceleration*: _____ *Please indicate unit of measurement for each value.
 Pressure _____ PSI Bellows cycles under pressure
 Vacuum _____ PSI Bellows cycles under pressure
 How will air enter/exit the bellows /How will the air be vented? _____
 Dynatect can quote optional breather vents upon request. See **Bellows Accessories** section of this form.

3. Environmental Information

Heat Exposure: Weld Spatter Hot Chips/Swarf High Ambient Temperature (specify in "Operation Information")
 Abrasion Exposure: Metal Chips/Swarf Wood Chips/Shavings Light Particles/Dust Other _____
 Chemical or Liquid Exposure: Water Moisture Salt or Sea Spray Petroleum/Hydrocarbons Oils (non-petroleum)
 Hydraulic Fluid (petroleum-based) Hydraulic Fluid (phosphate ester-based)
 Acid Coolant Cutting Fluid
 Other (specify) _____
 Contaminant Exposure Level: Minimal Occasional Heavy
 Miscellaneous: UV/Ozone Outdoors Food-Grade/FDA Laser Beam Clean Room Camera/Light-Proof
 Other (specify) _____
 Regulatory Compliance: Standard _____ Bellows must be fire retardant (list standard to the left)
 Application Notes: _____

ENCLOSED-SHAPE BELLOWS | QUOTE REQUEST FORM

4. Cover Dimensions

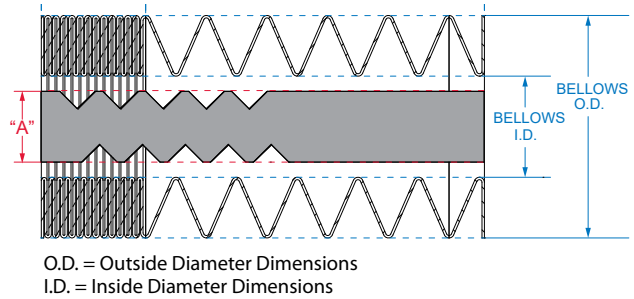
For rectangular shapes, please specify height and width dimensions.

Dimensions specified in: in mm

Covered Part "A" O.D. _____ or _____ x _____

Bellows I.D.: _____ or _____ x _____

Bellows O.D. (Maximum Allowable): _____ 4-sided: _____ x _____



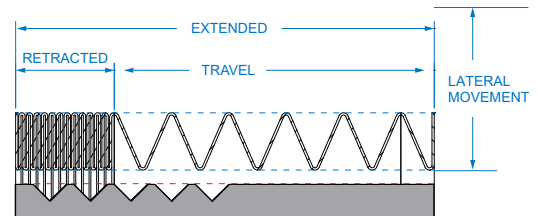
5. Extended/Retracted/Travel Requirements

Specify extended and retracted length requirements, or indicate travel and we will advise retracted length.

Dimensions specified in: in mm

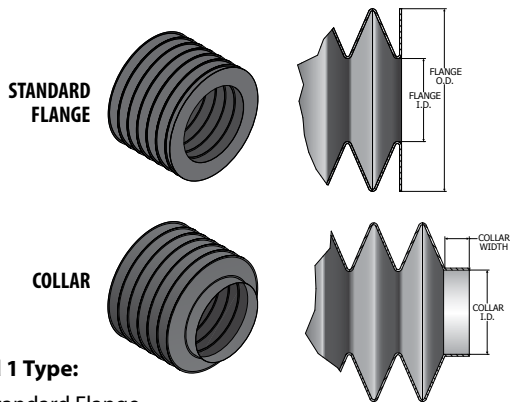
Extended Length: _____ Retracted Length: _____ Travel Distance: _____

Is there any lateral motion / sheer movement between ends? Yes No Lateral End Movement: _____ (May not apply)



6. End Dimensions

Specify a type along with relevant dimensions for each end. For round shapes, specify diameter. For rectangular shapes, please specify height and width dimensions. For end requirements or dimensions not shown here, please provide a drawing for clarification.



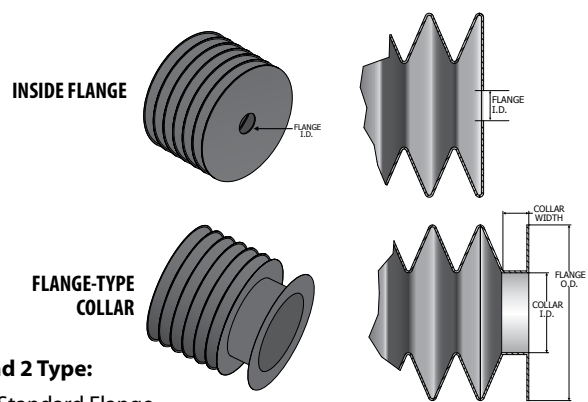
End 1 Type:

- Standard Flange
- Inside Flange
- Collar
- Flange-Type Collar

Flange O.D.: _____ or 4-sided: _____ x _____
 Flange I.D.: _____ or 4-sided: _____ x _____
 Collar I.D.: _____ or 4-sided: _____ x _____
 Collar Width: _____ or 4-sided: _____ x _____

End 1 Mounting:

- Mounting Hole Pattern (dwg. req.)
- Mounting Plate*
- Clamp**



End 2 Type:

- Standard Flange
- Inside Flange
- Collar
- Flange-Type Collar

Flange O.D.: _____ or 4-sided: _____ x _____
 Flange I.D.: _____ or 4-sided: _____ x _____
 Collar I.D.: _____ or 4-sided: _____ x _____
 Collar Width: _____ or 4-sided: _____ x _____

End 2 Mounting:

- Mounting Hole Pattern (dwg. req.)
- Mounting Plate*
- Clamp**

7. Bellows Accessories

- Zipper
- Inside Wires
- Outside Wires
- Tie Strips
- Internal Support Guides[†]
- Outer Grommets for Support Rod
- Breather Vents

*Shipped blank unless hole pattern specified; drawing required.

**0.5" I.D. minimum. Clamps are stocked in multiple sizes. Clamp band is 0.5" wide.

[†]Recommended for screw covers.