

MACHINE ROOF COVERS | QUOTE REQUEST FORM

Date _____ Address _____
 Company Name _____ City _____ State/Prov. _____
 Contact _____ Country _____ Zip/Postal Code _____
 Telephone _____ Email _____

1. Application/Environment Information

- For Dust/Particle Containment (please describe) _____
- For Noise Attenuation

Cover Installation: Existing Rails (please provide dimensions) _____ in mm
 Dynatect to Supply Rails

Machine Speed: _____ Acceleration: _____ (Please indicate unit of measurement for each value.)

Application Notes: _____

2. Extended/Retracted Length/Travel

- Specify cover extended and retracted length requirements or indicate travel and Dynatect will advise closed length.
- Standard covers have 10 to 1 extended-to-retracted ratio, yet modifications can be engineered.

Extended Length: _____ Retracted Length: _____ Travel Length: _____

Dimensions specified in: in mm

Note: Single cover shown.

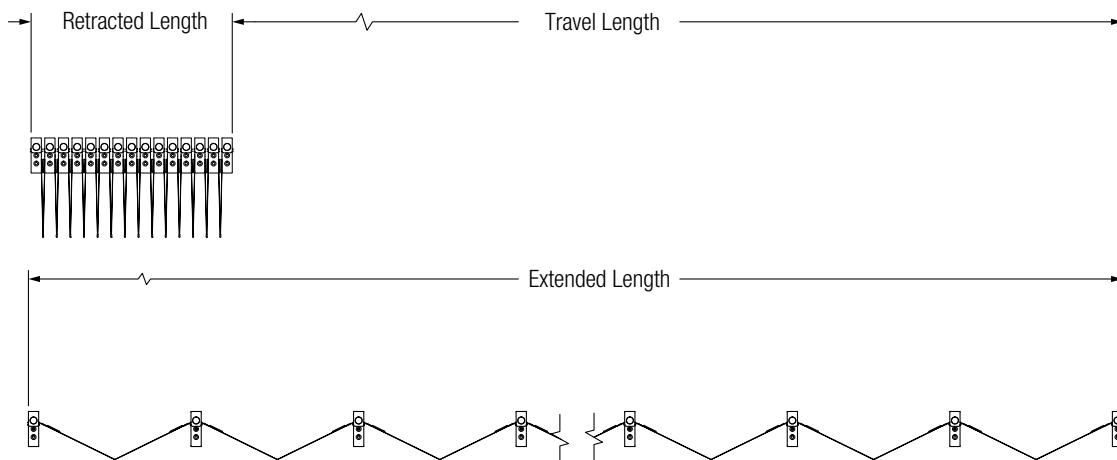


Diagram #1 – Extended/Retracted Travel

MACHINE ROOF COVERS | QUOTE REQUEST FORM

3. Required Dimensions (Refer to Diagrams #2 and #3 below.)

- (A) Machine or Pit Width: _____ Standard roof cover assembly "A" + 6.25"
 - (B) Upper Clearance from Top of Rail: 1.83" (46 mm) for standard fold direction, 9.67" (246 mm) for inverted fold direction
 - (C) Lower Clearance Requirements: 12.65" (321 mm) for standard fold direction, 3.33" (85 mm) for inverted fold direction
- With Above Clearance Requirements in mind (B & C), Please Choose: Standard Fold Inverted Fold
- (D) Rail Dimensions: _____ (If rails already exist; otherwise 1.5" x 1.5" standard size if supplied by Dynatect.)
 - (E) Distance – Rail Center to Rail Center: _____ (If rails already exist.)

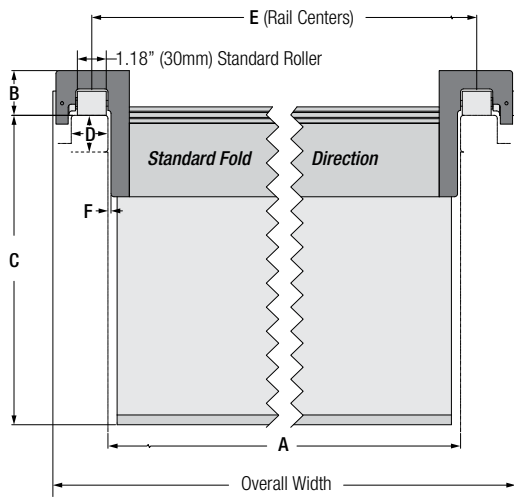


Diagram #2 – Standard Fold Direction

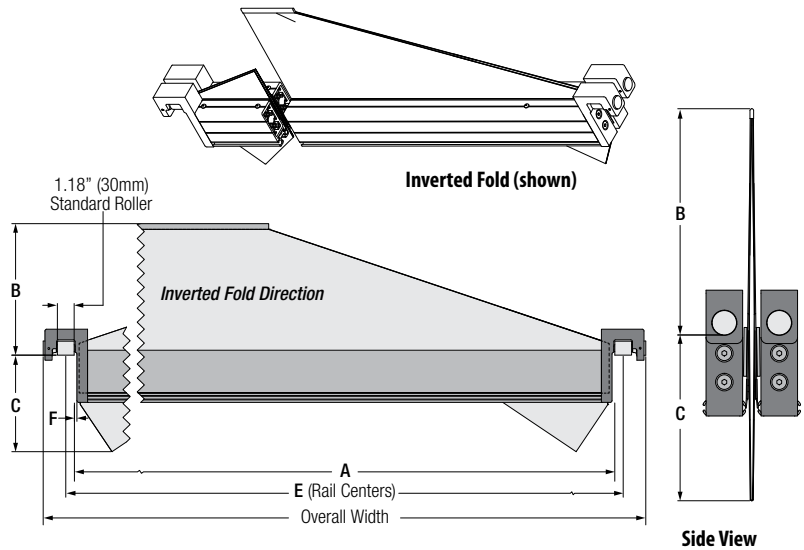


Diagram #3 – Inverted Fold Direction

- Total quantity of covers needed for this machine (quantity): _____
- If a front and back cover is required, what is the gap between them? _____
- How much space/clearance around the machine spindle? _____
- Gantry Depth: _____
- Gantry Width: _____
- Gap Extended Length: _____

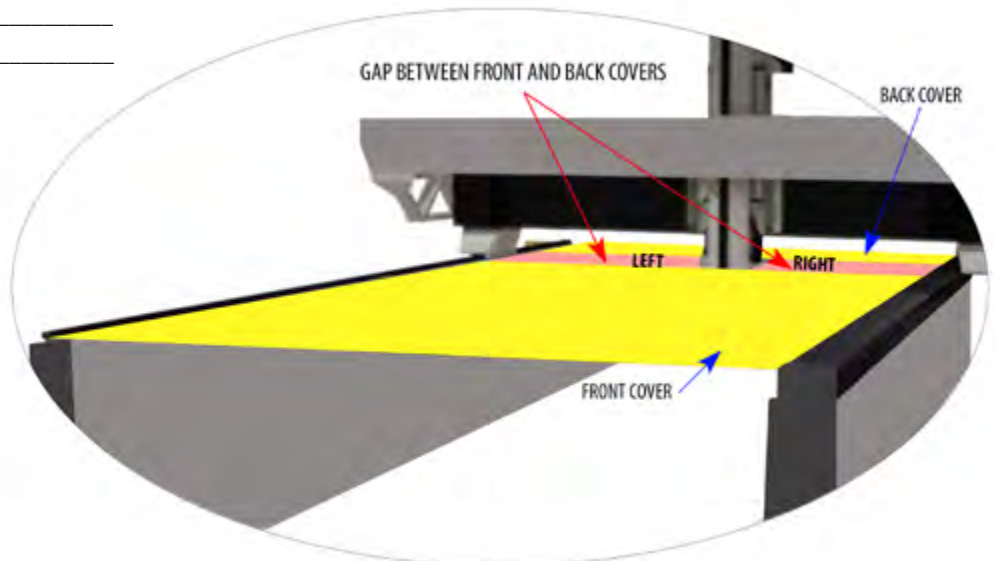


Diagram #4